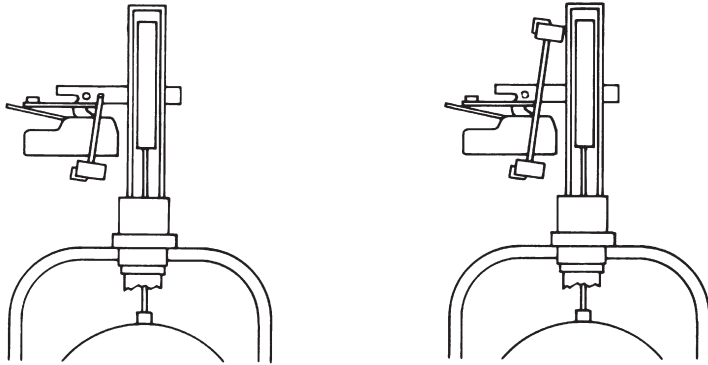




Switches — Anti-Vibration



Anti-Vibration Mechanism

The anti-vibration head functions under conditions of extreme vibration – even the rolling or pitching experienced on seagoing vessels. The head consists of two magnets mounted on a pivoted arm, designed so that one magnet is attracted to the armature at all times. The drawing above demonstrates how the mechanism works. The Circuit Arrangement Chart indicates the circuitry available.

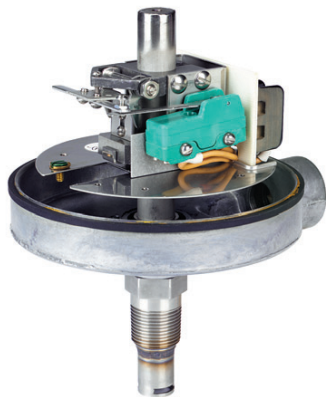
Standard Magnetic Mechanism

A permanent magnet is attached to a pivoted mercury or snap action switch. As the water level rises, it carries the float upward, raising the magnetic armature. This action attracts the magnet to the non-magnetic tube, tilting the pivot and actuating the mercury or snap action switch. When the liquid level falls, the float and the magnetic armature fall with it. As it moves out of the magnetic field, the attraction ceases, the magnet swings away from the tube and tilts the switch in the reverse position, actuating another series of circuits.

SINGLE STAGE OPERATION ONLY

WITH ENCLOSED METAL SNAP-ACTION CONTACT SWITCHES	
Circuit Arrangement	Specification No.
SP-DT (1 Switch)	-7710
SP-DT (2 Switches)	-7706
WITH HERMETICALLY SEALED MERCURY SWITCHES (Not Recommended For Shipboard Installation)	
Circuit Arrangement	Specification No.
SP-ST – Closes on DROP	-4720
SP-ST – Closes on RISE	-4721
SP-DT – One CLOSES as other OPENS	-4715
DP-ST – Close on DROP	-4714
DP-ST – Close on RISE	-4713

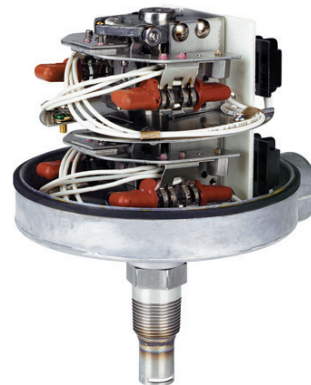
Other Circuits Available.



Snap Action Switches

Snap Action Switches are available on most Mercoid liquid level controls. From one to four switches can be specified. They are available in single pole, double throw; and double pole, double throw models. The switches can be ordered with two or more switches electrically independent.

Switches — Standard



Mercury Switches

Mercoid Mercury Switches are available on all Mercoid liquid level controls. From one to four switches can be specified. Mercury switches are available in single pole, single throw; single pole, double throw; double pole, single throw; and double pole, double throw models. The switches can be ordered to open on level rise or level fall with two or more switches electrically independent, or single pole, double throw in one switch. Mercoid designs and builds mercury switches for its liquid level controls to provide added dependability while extending operating life.