



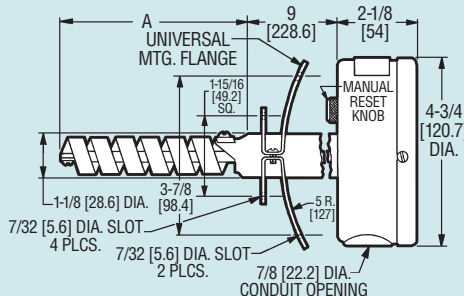
Series
M-51

Bi-Metal Air Temperature Switches

Double Adjustable, Heavy Duty, Universal Mounting,
Automatic or Manual Reset



General purpose



SPECIFICATIONS

Service: Compatible gases.

Temperature Limit: Process: range maximum, Ambient: 180°F (82°C).

Enclosure Rating: General purpose.

Switch Type: SPST mercury switch. Optional SPDT.

Electrical Rating: 10A @ 120 VAC/DC, 5A @ 240 VAC/DC. 3/4 HP @ 120/240 VAC single phase, 1/3 HP @ 120/240 VDC.

Electrical Connections: Screw terminal.

Conduit Connection: 7/8" (22.23 mm) hole for 1/2" (12.7 mm) conduit hub.

Process Connection: Mounting flange. Reversible for flat or curved surfaces.

Mounting Orientation: Horizontal and level.

Set Point Adjustment: Internal moveable pointers for set point and reset point.

Weight: 5 lb (2.27 kg).

Deadband: Adjustable from minimum in model chart to full range.

Set Point Scale: Indication in °F standard. °C optional.

Options: SPDT and DPST switches. Switch that closes on temperature increase.

Agency Approvals: UL and CSA. FM only on models M-51R-74 and MX-51R-75.

Designed for use as a limit switch, fan control, or alarm switch, Model M-51 is used on all types of air conditioning ducts, furnaces, ovens, dryers, etc. Unit may also be used with damper control system to prevent spread of fire through ducts. Adjustments for both set and reset points. Visible dial shows duct temperature and switch setpoints.

STOCKED MODELS in bold

MODEL NUMBER†	ADJUSTABLE RANGE, °F	°C	MIN. DEAD-BAND, °F	°C	SWITCH ACTION ON TEMP. RISE	RESET	DIMENSION A		UL	CSA
							IN	MM		
M-51-71	25-125	-4+52	12	7	Opens	Automatic	5 3/8"	136	UL	CSA
M-51R-71	25-125	-4+52	12	7	Opens	Manual	5 3/8"	136	UL	CSA
M-53-74*	50-500	+10+260	20	11	Closes	Automatic	4 3/8"	111	UL	CSA
M-51-74	50-500	+10+260	20	11	Opens	Automatic	4 3/8"	111	UL	CSA
M-51R-74	50-500	+10+260	20	11	Opens	Manual	4 3/8"	111	UL	FM CSA
M-53R-74	50-500	+10+260	20	11	Closes	Manual	4 3/8"	111	UL	CSA
MX-51-75	50-650	+10+340	20	11	Opens	Automatic	4 3/8"	111	UL	CSA
MX-53-75*	50-650	+10+340	20	11	Closes	Automatic	4 3/8"	111	UL	CSA
MX-51R-75	50-650	+10+340	20	11	Opens	Manual	4 3/8"	111	UL	FM CSA
MX-53R-75	50-650	+10+340	20	11	Closes	Manual	4 3/8"	111	UL	CSA

*M-53, MX-53 CONTAINS SUMMER SWITCH TO PERMIT FAN OPERATION FOR VENTILATION PURPOSES. AUTOMATICALLY RESETS WHEN TEMPERATURE RISES.

†MODEL M-51, MX-51, M-51R ALSO AVAILABLE WITH THE FOLLOWING CIRCUITS:

103 DPST: 2 each SPST Mercury switches. Closes on temperature increase. Rated 10A at 120V, 5A at 240V AC/DC.

127 DPST: 2 each SPST Mercury switches. Opens on temperature increase. Rated 10A at 120V, 5A at 240V AC/DC.

153 SPDT Mercury switch. Rated 4A at 120V, 2A at 240V AC/DC.

156 SPDT: 2 SPST Mercury switches. 1 opens as 1 closes on temperature increase. Rated 10A at 120V, 5A at 240 V AC/DC.

127, 153, 156 circuits FM approved with type M51R-range 74 and MX51R-range 75.

Ordering Example

MX51-156-75

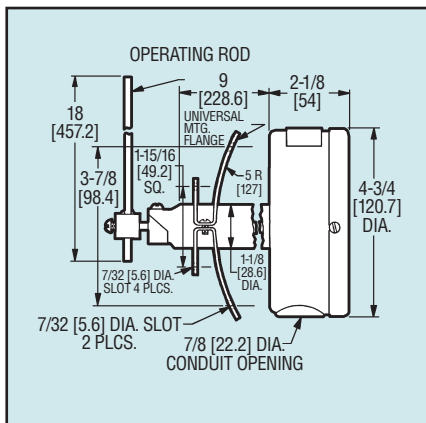
Temperature



Series
ML-51-153

Damper Position Switch

Separate Low-High Setting, Universal Mounting, Spring Return



Simplicity of design and quality construction assure reliable control of fan systems which employ adjustable dampers. The Model ML-51-153 Damper Position switch is installed on the side of duct near adjustable dampers. A 5/32" × 18" stainless steel rod links the two, so that damper motion causes switch arm rotation which makes or breaks hermetically sealed mercury switch contacts. Common uses are to prevent fan operation until damper position is correct or to actuate a warning light or audible alarm when an abnormal condition exists. High/low settings are individually adjustable and their locations are clearly visible through the glass window. Dual purpose mounting bracket reverses to fit both round and rectangular duct.

SPECIFICATIONS

Maximum Temperature: 180°F (82°C).

Switch Type: SPDT tilting mercury. Three screw-type terminals.

Electrical Rating: 4A at 115 VAC/DC, 230 VAC/DC, 1A 440 VAC/DC.

Conduit Openings: 7/8" hole for 1/2" conduit.

Housing: Painted steel with glass front window: Reversible flange flat or curved surfaces.

Weight: 2 lb, 10 oz (1.2 kg).

STOCKED MODEL

Model ML-51-153 Damper Position Switch